



Model: **888S**

Product Type: **MINI STRAIGHT LINE SANDER**

Foreseen Use of the Tool

Do not use the tool outside of the design intent.
Never modify the tool for any other purpose, or for its use.



Safety Precaution

Caution: To help prevent personal injury

- Normal use of this product is likely to expose the user to dust and/or microscopic particles containing chemicals known to the State of California to cause cancer, birth defects or other reproductive harm. Always wear appropriate safety equipment and clothing when using this product. Study, understand and follow all instructions provided with this product.
- Always wear ANSI approved goggles when using this product.
- Always select the correct accessories of the correct size and design for the job that you are attempting to perform.
- Always work in a clean, safe, well-lit, organized and adequately equipped area.
- Do not begin repairs without assurance that vehicle is in secure position, and will not move during repair.

Product Information:

- Used on plastic fillers at any stage of hardening
- Feathers with ease and smoothness
- Single Piston
- Single handle design for smaller and harder to reach spaces
- Fast and efficient performance
- 3,000 strokes per minute
- 4 CFM
- Vibration less than 2.5 m/s²

SPECIFICATIONS:

- Sanding Paper Size: 2-3/4" x 11"
(7 x 28 cm)(PSA or Velcro)
- Tool Weight: 4.25 lbs (1.9kgs)
- Sound pressure: 89 dBA
- Sound Power: 98 dBA

Important

Read these instructions carefully before installing, operating, servicing or repairing this tool. Keep these instructions in a safe accessible place.



**Astro Pneumatic
Tool Company**
www.astrotools.com

1 YEAR LIMITED WARRANTY

•Astro Pneumatic Tool Co. warrants our products to the original user against defective material or workmanship for a period of 1 year (except where noted on our price schedule) from the date of 1st use. Astro reserves the right to determine whether the product failed because of defective material, workmanship or other causes and to charge back for missing parts. Astro Pneumatic Tool Co., at its discretion, will repair products covered under this warranty free of charge. The distributor should direct the original user to return the product (with the exceptions listed below) with the distributor's name, address, adequate proof of date of purchase or a copy of warranty card, and a short note explaining the problem. **Failures caused by accident, alteration, or misuse are not covered by this warranty.**

•Astro Pneumatic Tool Co. or its authorized service representatives must perform all warranty repairs. Any repair to the product by unauthorized service representatives voids this warranty. The rights under this warranty are limited to the original user and may not be transferred to subsequent owners.

•This warranty is in lieu of all other warranties, expressed or implied, including warranties of merchantability and fitness for a particular purpose. Some states do not allow the exclusion of limitations of incidental or consequential damages so the above limitations may not apply to you. All claims must be sent to:

Astro Pneumatic Tool Company
372 Old US Highway 52 South
Mt. Airy, NC 27030



**PLEASE DO NOT RETURN ANY PRODUCT WITHOUT CALLING
1-800-221-9705 FOR INSTRUCTIONS**



Unpacking

When unpacking, check the parts diagram and part number listing on page 4 to make sure all parts are included. If any parts are missing or damage, please call your distributor.

MINI STRAIGHT LINE SANDER



MADE IN TAIWAN



Model:

888S

Product Type:

MINI STRAIGHT LINE SANDER

MAINTENANCE INSTRUCTION:

1.) LUBRICATION:

Before connection of the hose, apply 4 to 5 drips of a good quality air tool oil at the air inlet. After 3 to 4 hours of operation, oiling may be necessary again.

2.) TIGHTNESS OF PARTS:

Regularly check whether all connection parts are **fastened securely. Follow this procedure daily before beginning work.**

3.) STORAGE:

Avoid storing the tool in a location subject to high humidity. If the tool is left unused, the residual moisture inside the tool can cause rust. Before storing and after operation, oil the tool at the air inlet with a good quality air tool oil and run it for a short period.

4.) DISPOSAL:

Follow national legislation of **waste** disposal.

5.) ORDERING SERVICE PART

For further operational and handling information or for replacement of parts and components, contact the sales agent from where you purchased the tool, or the service division of our company. *When ordering parts and components, give each part number, name, and quantities.

! WARNING !

- 1) The tool shall not be used in potentially explosive atmospheres.
- 2) Disconnect the air hose before changing or adjusting any inserted tools.
- 3) Before using tool, please confirm all couplings and plugs are fixed securely. Air hose that is under pressure may lash out when disconnected and could lead to serious injuries.
- 4) Prevent loose clothes, long hair or any other personal accessories from coming close to moving parts to reduce the risk of being caught, trapped or drawn into the rotating spindle.
- 5) Excessive high air pressure, that exceeds the maximum pressure, may cause injuries to user.
- 6) Exposure to strong vibration for extended time may cause harm to operator.
- 7) Make sure of the rotation direction before starting the tool to reduce hazardous situations due to unexpected rotation direction.
- 8) Slip/Trip/Fall is a major reason of serious injury or death. Beware of excess hose left on the walking or work surface.
- 9) Wearing eye/face protector could reduce the danger to person from high speed splinters being emitted from the tool or work surface.
- 10) Wearing correct breathing protection will help avoid inhaling dust or handling debris from work process that can be harmful to your health.
- 11) High sound level can cause permanent hearing loss. Use hearing protection while operating tool.
- 12) Due to the material being processed, there may be a risk of explosion or fire. Be aware of work surface dangers prior to beginning work.
- 13) There is a risk of being cut due to high speed rotation. Do not touch high speed rotating disc.
- 14) This power tool is not insulated. If contact is made with an electric current, injury may occur.
- 15) Dust created by sanding, sawing, grinding, drilling and other related activities may expose the user to dust and/or microscopic particles that may contain chemicals known to the State of California to cause cancer, birth defects or other reproductive harm.

MINI STRAIGHT LINE SANDER





Model: **888S**

Product Type:

MINI STRAIGHT LINE SANDER

⚠️ WARNING ⚠️

Users of this tool should review the chemical composition of the work surface and any products used in conjunction with this tool for any such chemicals prior to engaging in any activity that creates dust and/or microscopic particles.

Users should obtain the Material Safety Data Sheets for all identified chemicals, either from the manufacturer or their employer, and proceed to study, understand, and follow all instructions and warnings for exposure to such chemicals.

Some examples of these chemicals are: lead from lead based paints; crystalline silica from bricks, cement and other masonry products; and arsenic and chromium from chemically treated lumber. A listing of the chemicals can be obtained at www.oehha.ca.gov under Proposition 65.

In order to reduce their exposure to such chemicals users should always:

- work in well-ventilated areas .
- wear appropriate safety equipment and clothes that are specifically designed to filter out microscopic particles

Product Information:

- Used on plastic fillers at any stage of hardening
- Feathers with ease and smoothness
- Single Piston
- Single handle design for smaller and harder to reach spaces
- Fast and efficient performance
- 3,000 strokes per minute
- 4 CFM
- Vibration less than 2.5 m/s2

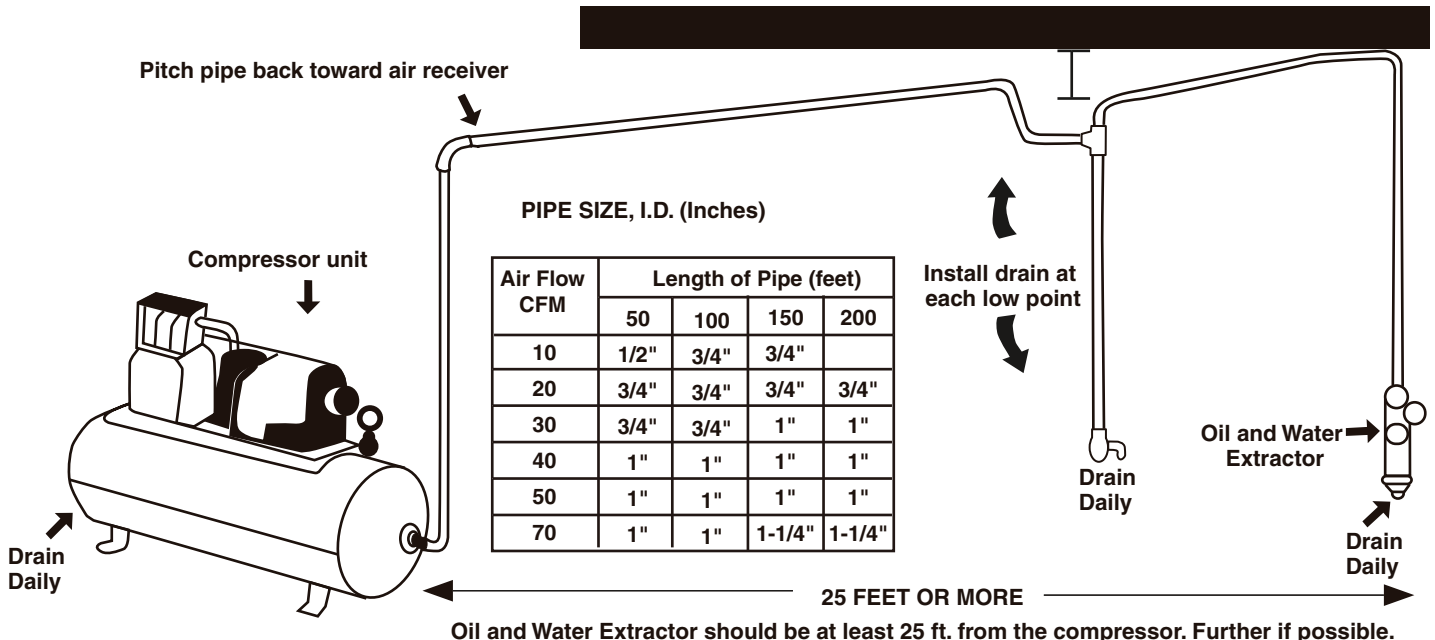
SPECIFICATIONS:

- Sanding Paper Size: 2-3/4" x 11" (7 x 28 cm)(PSA or Velcro)
- Tool Weight: 4.25 lbs (1.9kgs)
- Sound pressure: 89 dBA
- Sound Power: 98 dBA

The oil and water extractor should not be mounted on or near the air compressor. The temperature of air is greatly increased during compression. As the air cools down to room temperature, in the air line, on its way to the Air Power Tool, the moisture contained in it condenses. Thus, for maximum effectiveness, the oil and water extractor should be mounted at some point

in the air supply system where the temperature of the compressed air in the line is likely to be lowest. Air lines must be properly drained daily. Each low point in an air line acts as a water trap. Such points should be fitted with an easily accessible drain. See diagram below. Pitch all air lines back towards the compressor so that condensed moisture will flow back into the air receiver where it can be drained off. Drain daily.

SUGGESTED AIR LINE CONNECTION





**Astro Pneumatic
Tool Company**

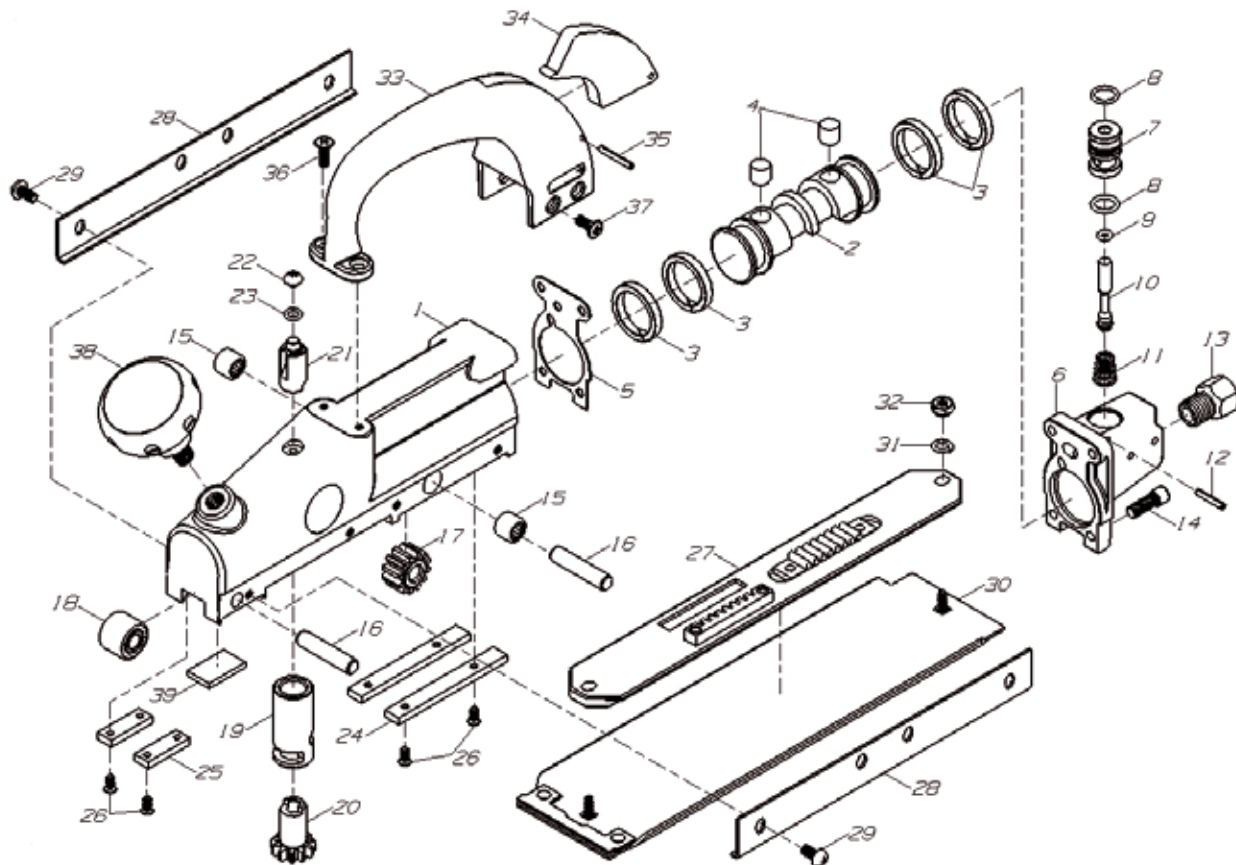
372 Old US Highway 52 South
Mount Airy, NC 27030

Model:
888S

Product Type:
**MINI STRAIGHT
LINE SANDER**

PARTS BREAKDOWN

Call 1.800.221.9705 for questions concerning performance of the product or other inquiries.



Parts List

Part No.	Description	Qty
888S-01	Housing Assembly	1
888S-02	Piston	1
888S-03	Piston Ring	4
888S-04	Plug	2
888S-05	Gasket	1
888S-06	Rear Cover	1
888S-07	Bushing	1
888S-08	O-Ring	2
888S-09	O-Ring	1
888S-10	Valve Stem	1
888S-11	Spring	1
888S-12	Pin	1
888S-13	Inlet	1
888S-14	Screw	4
888S-15	Bearing	2
888S-16	Gear Shaft	2
888S-17	Gear	1
888S-18	Roller	1
888S-19	Valve	1
888S-20	Gear	1

Part No.	Description	Qty
888S-21	Adjusting Shaft	1
888S-22	Screw	1
888S-23	O-Ring	1
888S-24	Wear Plate	2
888S-25	Wear Plate	2
888S-26	Screw	8
888S-27	Carrier Plate	1
888S-28	Strap	2
888S-29	Screw	8
888S-30	Pad	1
888S-31	Washer	2
888S-32	Nut	2
888S-33	Handle	1
888S-34	Trigger	1
888S-35	Pin	1
888S-36	Screw	2
888S-37	Screw	4
888S-38	Knob	1
888S-39	Muffler	1